

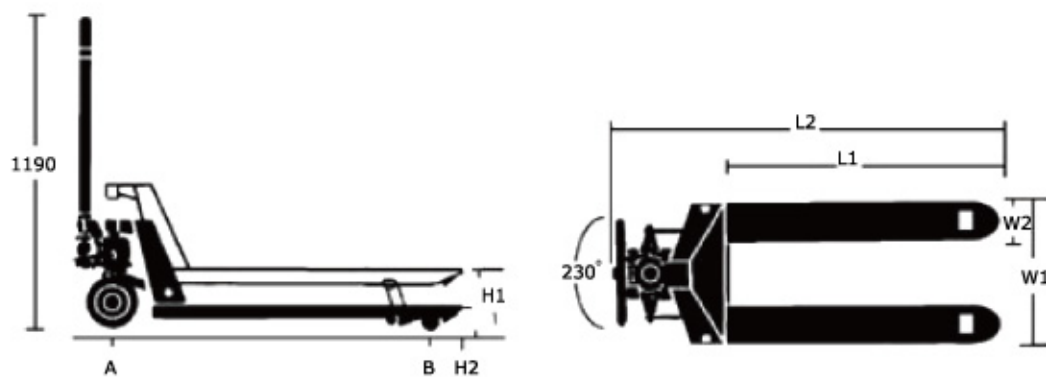
Specifications of SINOLIFT NP series hand pallet truck

1, Standard									
Model	Capacity kg/lbs	Fork Width mm/inch	Fork Length mm/inch	Min. Height mm/inch	Max. Height mm/inch	Steer wheel (mm)	Load Roller		Weight kg/lbs
							W1	L1	
NP10-48	1000/2200	460/18"	810/32"	80/3.15"	200/7.9"	φ180*62	φ78*100 (single)		66/145
NP10-49		460/18"	980/38.5"						70/154
NP10-58		520/20.5"	810/32"						66/145
NP10-59		520/20.5"	980/38.5"						71/156
NP10-510		520/20.5"	1070/42"						71/156
NP10-511		520/20.5"	1150/43.3"						73/160
NP10-712	685/27"	1220/48"	79/173						
NP15-48	1500/3300	460/18"	810/32"	80/3.15"	200/7.9"	φ180*62	φ78*100 (single)		66/145
NP15-49		460/18"	980/38.5"						70/154
NP15-58		520/20.5"	810/32"						66/145
NP15-59		520/20.5"	980/38.5"						70/154
NP15-510		520/20.5"	1070/42"						71/156
NP15-511		520/20.5"	1150/43.3"						73/160
NP15-610		600/23.5"	1070/42"						77/169
NP15-76		685/48"	650/25.6"						68/149
NP15-710		685/27"	1070/42"						76/167
NP15-712		685/27"	1220/48"						79/173
NP25-58	2500/5500	520/20.5"	810/32"	80/3.15"	200/7.9"	φ180*62	φ78*100 (single) or φ78*70 (tandem)		67/147
NP25-59		685/27"	980/38.5"						71/156
NP25-510		685/27"	1070/42"						72/158
NP25-511		520/20.5"	1150/43.3"						75/165
NP25-712		685/27"	1220/48"						80/176
NP30-510		520/20.5"	1070/42"						84/184
NP30-511	3000/6600	520/20.5"	1150/43.3"	80/3.15"	200/7.9"	φ180*62	φ78*100 (single) or φ78*70 (tandem)		90/198
NP30-712		685/27"	1220/48"						100/220

2, Low Profile									
Model	Capacity kg/lbs	Fork Width mm/inch	Fork Length mm/inch	Min. Height mm/inch	Max. Height mm/inch	Steer wheel (mm)	Load Roller		Weight kg/lbs
							W1	L1	
NPL15-58	1500	520/20.5"	820/32"	2.5"/2.75"/2.9"	65/73/75	φ180*62	φ65*100 (single)		66/145
NPL15-59		520/20.5"	990/38.5"						70/154
NPL15-510		520/20.5"	1080/42"						71/156
NPL15-511		520/20.5"	1160/43.3"						73/160
NPL15-712		685/27"	1230/48"						79/173
NPL25-58		520/20.5"	820/32"						67/147
NPL25-59	2500	520/20.5"	990/38.5"	2.5"/2.75"/2.9"	65/73/75	φ180*62	φ65*100 (single)		71/156
NPL25-510		520/20.5"	1080/42"						72/158
NPL25-511		520/20.5"	1160/43.3"						73/160
NPL25-712		685/27"	1230/48"						80/176

3, Super Low Profile									
Model	Capacity kg/lbs	Fork Width mm/inch	Fork Length mm/inch	Min. Height mm/inch	Max. Height mm/inch	Steer wheel (mm)	Load Roller		Weight kg/lbs
							W1	L1	
NPSL10-58	1000/2200	520/20.5"	820/32"	38/1.5"	95/3.75"	φ150*62	φ34*68 (tandem, Iron)		66/145
NPSL10-59		520/20.5"	990/38.5"						70/154
NPSL10-510		520/20.5"	1080/42"						71/156
NPSL10-511		520/20.5"	1160/43.3"						73/160
NPSL10-712		685/27"	1230/48"						79/173
NPSL25-58		520/20.5"	820/32"						67/147
NPSL25-59	2500/5500	520/20.5"	990/38.5"	51/2"	142/5.5"	φ180*62	φ50*70 (tandem, Iron)		71/156
NPSL25-510		520/20.5"	1080/42"						72/158
NPSL25-511		520/20.5"	1160/43.3"						74/162
NPSL25-712		685/27"	1230/48"						80/176

- Note:
- 1.2000kg/4400lbs,3500kg/7700lbs,5000kg/11000lbs capacity are also available.
 - 2.Hand brake,food brake and parking brake is optional.
 - 3.Option: Variety size of Polyurethane,Nylon or Rubber material wheels. Single or tandem load roller.
 - 4.Special size of width and length can be made according to customer's requirement.



Features

Quality engineered for strength, dependability and long life. SINOLIFT's choice as the hand pallet truck/pallet jack on the market today. The hydraulic system on this pallet jack is the result of years of research and development, including a load limiter that prevents premature wear resulting from overloading. A special design of lowering valve permits gentle lowering of heavy loads. No moisture can get into the unit and it is leak proof.

Lifting - Neutral - Lowering. No foot pedal means extra safety. Neutral allows pumping at the most convenient angle to the operator and free handle movement when the truck is in motion. The handle returns automatically to the vertical position. All Parts guaranteed for a full year, except where used in Acidic or Alkali Environments.

Features Include:

- Safety designed loop handle, includes neutral position, and fingertip release
- Spring-o-matic handle self returns
- 230° pivot action maneuvers in compact area
- One piece formed steel "C" channel tapered, reinforced forks
- Leak-proof pump assures maintenance-free service
- Hard chrome-plated ram and piston for long seal life
- Urethane seals and wipers
- Large Steer wheels with "Ball Thrust" steering
- Sealed ball bearings throughout
- Bearings at all pivot points can be lubricated easily
- Tapered fork ends and nylon rollers permit easy entry and exit of pallets
- Only 1 snap ring and 4 pins to remove the hydraulic unit
- Painted quality safety color after anti-rust treatment
- Tow (2) year structural and Three (3) year hydraulic pump warranty.

Warning

For safe operation of Hand Pallet Trucks, please read and follow the instructions that follow:

- Do not operate a Hand Pallet Truck unless you are familiar with it and have been trained and authorized to do so. Read all warnings and instructions here and on the truck.
- Do not operate a Hand Pallet Truck until you have checked its condition. Give special attention to the wheels, handle, forks, lift and lower control, and brakes (if so equipped). Do not operate damaged or faulty trucks. Do not attempt repairs unless you are trained and authorized to do so.
- Lift the fingertip control lever a little up when lowering the truck by controlling the lever to make the truck lower slowly. Never drag the control lever rudely because rapid lowering will damage the truck and cargo.
- Do not shake the handle hastily or frequently.
- Rapid loading on the forks is not permitted.
- Do not overload, otherwise the truck will not work normally!
- The gravity center of the cargo should be positioned in the middle of two forks
- Unbalanced loading will cause overturns of the truck after the cargo is lifted!
- Relaxed or unstable cargos are not permitted for loading!
- Do not place the cargo on the truck body for long time!
- Set the forks at the lowest position when truck is not in working.
- The truck is forbidden to carry man and the truck is also not permitted to move with man standing on its forks. Any parts of the operator's body is not permitted to be placed under the cargos.
- The truck is suitable for flat and hard ground. A truck with brake can be selected if the truck must be used on a slope!
- Do not operate those not approved parts.



Specifications and design are subject to change without prior notice. Machines shown may include optional equipment.



- User friendly
- Low maintenance
- Quality built
- Powder coat finish



- Model C is the standard handle, but model A, B or D is available
- The control lever with 3 positions for Lifting, Lowering and Neutral movement makes the trucks easy, safe and pleasant to use



■ Tandem Roller ■ Single Roller ■ Guide Small Roller



- High-quality sealed bearing
- Nylon-wheel, steel-wheel wrapped by polyurethane can make the trucks pull and push light and long life of use

NP Series Hand Pallet Truck ISO9001 CE

Quick lift with special pump

- It takes just 3 or 4 strokes reach Max. height.
- With double control valve to keep double speed pump work.
- More load, more slowly descend.

■ Model: NPF



Stainless steel and Galvanized

- Ideal for sanitary, pharmaceutical, medical, food and wet environments. A galvanized version is also available for nonfood applications.
- Choose either 304 stainless steel frame and forks or entirely 304 stainless steel pallet truck for long life in even the most harsh environments.

■ Model: NPG & NPS



Low profile pallet truck with scale

- Several versions of our mobile weighing station are available, ranging from the basic check weight read out, metric imperial.
- To all purpose print out report with user address, telephone, e-mail company logo etc. variations include automatic tare calculator, counting, comparator, profile plus weights and measures approved standard.

■ Model: CPS



Extra capacity load

- Heavy duty pump and steering wheel reduces the actual pulley effort required.
- Large piston to avoid large effort force.
- Its independent oil storage room ensures good leakproofness.
- 230 degrees steering angle allows maximum maneuverability.
- Available Ex Stock in special sizes.

■ Model: NPV



Paper Roll or Drum Truck

- For handling cylindrical loads where the lifting operation is achieved without pallets cylindrical loads can be lifted directly from the floor, transported, and deposited in their un palletized state.

■ Model: NPQ





Assembly Instructions

To attach handle to chassis (Refer to Parts Drawing):

1. Remove 4 bolts (No. 5) from handle mounting bracket.
2. Set handle on bracket allowing chain adjusting bolt assembly to pass through the hole in the centre of the bracket.
Note: Chain must be guided through the in shaft (No.67)
3. Insert the 4 bolts (No.5) through the handle flange into the handle mounting bracket and tighten securely.
4. Raise release lever (No. 102) and insert the adjusting bolt into front slot keeping the adjusting nut (No. 22) and washer (No. 21) on the under side of the lever (No.102).

Note: The adjusting bolt and nut have been pre-positioned at the factory for proper operation.

If however the nut has been moved in transit then:

- a) If the forks elevate while pumping in the neutral position, turn nut (No. 22) on adjusting bolt clockwise until pumping action does not raise the forks and the neutral position functions properly.
- b) If the forks do not lower when the release lever (No. 102) is raised, turn nut (No. 22) anti clockwise until raising the release lever lowers the forks. Check the neutral position per item a) to be the nut is in proper position.

3-Position Handle

Superior hydraulic unit allows extra easy pumping to lift a load quickly with minimal effort.



Neutral position allows free handle movement for easier manoeuvring when truck is in motion.



Controlled lowering speed allows adjustment according to weight and type of load.



Raising, Moving and Lowering

The up and down movement of the forks is achieved by means of a hydraulic pump activated by the handle part (No. 2 and etc.).The hydraulic pump is engaged by setting the Fingertip control lever (No. 13), in the appropriate position. On all SINOLIFT Pallet Trucks there are three (3) lever positions, the RAISE position to elevate the forks, the NEUTRAL position, to be used when loads are in transit, and the LOWER position to set the load down on the floor. When the lever is set for either the RAISE or NEUTRAL position it will retain that position until the operator changes it intentionally. The LOWER position is spring controlled and the forks will lower as long as the operator pulls the lever; as the operator release the lever, the down movement of the forks will stop.

TO RAISE FORKS Depress the lever switch (No. 9) automatically putting the Fingertip control lever (No. 13) in the pumping position and move handle up and down until pallet has reached the desired height. Unless special circumstances prevail, it will not be necessary to pump until full lifting height is reached. A clearance of 25mm/1" between floor and pallet is usually sufficient to move the load. **DO NOT LIFT LOAD WITH ONE FORK.**

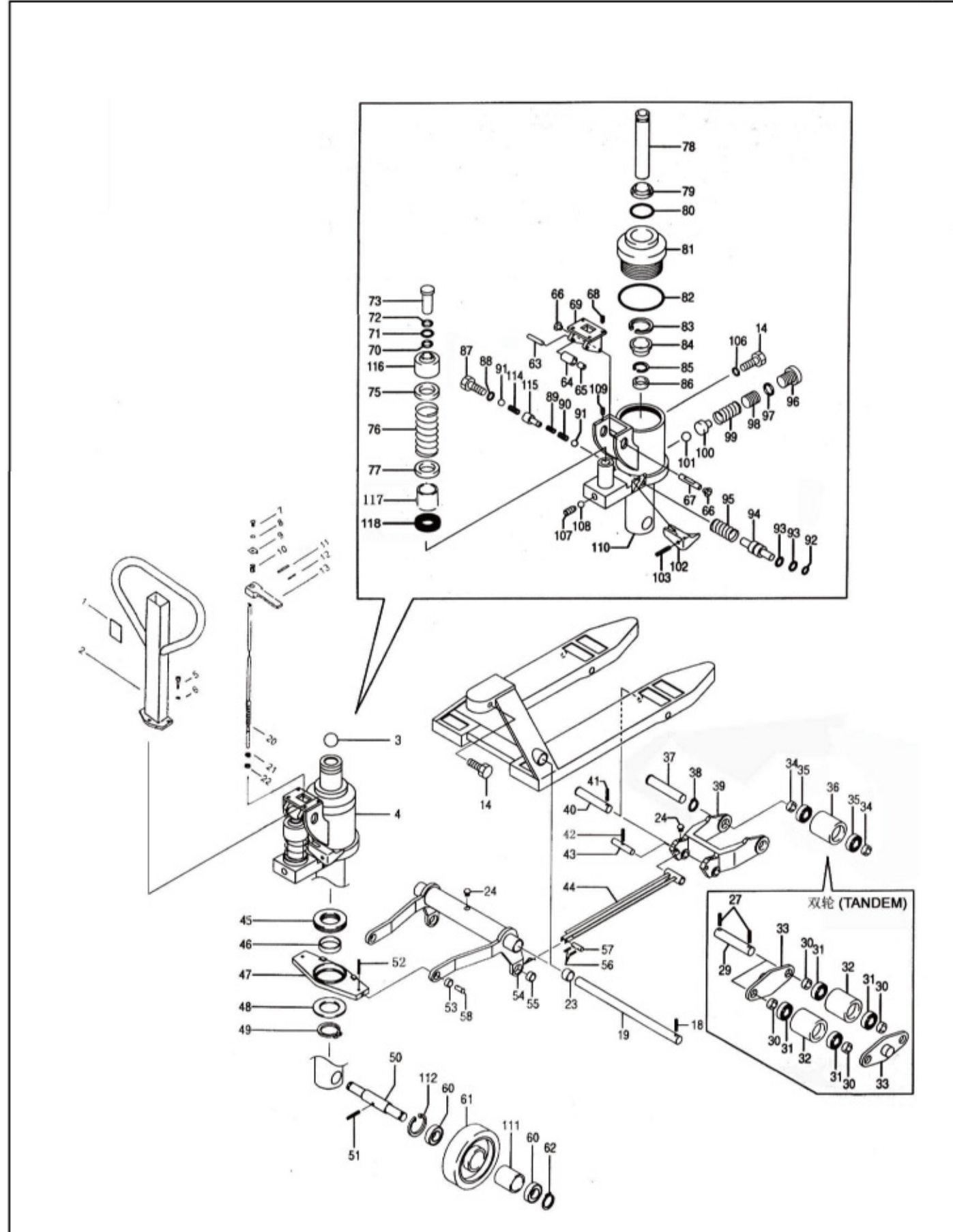
TO MOVE LOAD The neutral position is found at about 45° between the raise and lower position. This neutral (drive) position disengages the lifting mechanism making the handle free from hydraulic resistance and becomes almost weightless, yet the forks retain their raised position. NEUTRAL is the ideal setting while the loads are in transit. The handle follows the operators movement without any effort and the hydraulic system is not subjected to additional Pressure, ALWAYS USE THE NEUTRAL POSITION WHEN MOVING A LOAD.

TO LOWER FORKS Pull the Fingertip control lever up to lower the forks. The lever is sprung loaded for lowering only, therefore when you release the lever it will automatically return to the neutral position.



Parts Listing and Drawing

2008/08



Parts List (Standard)

No.	NAME OF PART	QUANTITY						No.	NAME OF PART	QUANTITY					
		A	B	C	D	E	F			A	B	C	D	E	F
1	Description Sticker	1	1	1	1	1	1	61-PU	Steer Wheelø180*62 (PU)	2	2	2	2	2	2
2	Handle Tube	1	1	1	1	1	1	61-NY	Steer Wheelø180*62 (Nylon)	2	2	2	2	2	2
Handle A,B,C,D Complete Handle Set (C is standard)		1	1	1	1	1	1	61-RU	Steer Wheelø180*50 (Rubber)	2	2	2	2	2	2
3	Steel Ball 17.4	1	1	1	1	1	1	62	Circlip for Shaft	2	2	2	2	2	2
4 *1	Pump	1	1	1	1	1	1	63	Shaft	1	1	1	1	1	1
5	Bolts M8*16	4	4	4	4	4	4	64	Roller	1	1	1	1	1	1
6	Spring Washer	4	4	4	4	4	4	65	Axle Sleeve	1	1	1	1	1	1
7	Screw M4*5	1	1	1	1	1	1	66	Axle sleeve	2	2	2	2	2	2
8	Spring Washer	1	1	1	1	1	1	67	Shaft	1	1	1	1	1	1
9	Lever Switch	1	1	1	1	1	1	68	Screw M6*10	1	1	1	1	1	1
10	Spring	1	1	1	1	1	1	69	Pressure Frame	1	1	1	1	1	1
11	Elastic Pin 6*38	1	1	1	1	1	1	70	O-ring 18	1	1	1	1	1	1
12	Elastic Pin 4*15	1	1	1	1	1	1	71	O-ring Washer 18	1	1	1	1	1	1
13	Fingertip control lever	1	1	1	1	1	1	72	Dust Ring 18	1	1	1	1	1	1
14	Screw M8*10	2	2	2	2	2	2	73	Pump Plunger	1	1	1	1	1	1
18	Elastic Pin 6*35	2	2	2	2	2	2	75	Washer	1	1	1	1	1	1
19 *2	Long Shaft	1	1	1	1	1	1	76	Spring	1	1	1	1	1	1
20	Pull Rod	1	1	1	1	1	1	77	Washer	1	1	1	1	1	1
21	Washer	1	1	1	1	1	1	78	Piston Rod	1	1				
22	Nut M5	1	1	1	1	1	1	79-A	Dust Ring 35			1	1	1	1
23	Shaft	2	2	2	2	2	2	79-B	Dust Ring 30	1	1				
24	Oil Eye	5	5	5	5	5	5	80-A	O-ring 35			1	1	1	1
25	Name of Plate	1	1	1	1	1	1	80-B	O-ring 30	1	1				
26 *1	Frame of Truck	1	1	1	1	1	1	81	Lid	1	1	1	1	1	1
27	Elastic Pin 5*40				8		8	82	O-ring 80	1	1	1	1	1	1
29	Shaft				4		4	83	Circlip for Hole 50			1	1	1	1
30	Collar				8		8	83	Circlip for Hole 45	1	1				
31	Bearing 80204				8		8	84-A	Sleeve (big)			1	1	1	1
32-PU	Load wheelø78*70 (PU)				4		4	84-B	Sleeve (small)	1	1				
32-NY	Load wheelø78*70 (Nylon)				4		4	85-A	Y-ring Washer 45			1	1	1	1
33	Load Wheel Plate				4		4	85-B	Y-ring Washer 40	1	1				
34	Collar	4	4	4	4		4	86-A	Y-ring 45			1	1	1	1
35-A	Bearing 80204		4		4		4	86-B	Y-ring 40	1	1				
35-B	Bearing 80104		4		4		4	87	Screw	1	1	1	1	1	1
36-PU-1	Load wheelø78*100 (PU)	2			2			88	Washer	1	1	1	1	1	1
36-NY-1	Load wheelø78*100 (Nylon)	2			2			89	Spring	1	1	1	1	1	1
36-PU-2	Load wheel ø65*100 (PU)				2		2	90	Spindle of Damping Valve	1	1	1	1	1	1
36-NY-2	Load wheel ø65*100 (Nylon)				2		2	91	Steel Ball ø4.76	2	2	2	2	2	2
37	Shaft	2	2	2	2		2	92	O-ring Washer 10	1	1	1	1	1	1
38	Circlip for Shaft	2	2	2	2		2	93	O-ring 10	1	1	1	1	1	1
39	Frame of Load wheel	2	2	2	2	2	2	94	Strike Pin	1	1	1	1	1	1
40	Shaft	1	1	1	1	1	1	95	Spring	1	1	1	1	1	1
41-A	Elastic Pin 6*30	2			2		2	96	Screw	1	1	1	1	1	1
41-B	Elastic Pin 5*24				2		2	97	Washer	1	1	1	1	1	1
42	Elastic Pin 5*30	1	1	1	1	1	1	98	Screw	1	1	1	1	1	1
43	Axle Sleeve	2	2	2	2	2	2	99	Spring	1	1	1	1	1	1
44 *3	Push Rod	2	2	2	2	2	2	100	Spring Base	1	1	1	1	1	1
45-A	Bearing 8110				1		1	101	Steel Ball ø4.76	1	1	1	1	1	1
45-B	Bearing 8109				1		1	102	Release Lever	1	1	1	1	1	1
46	Axle Shaft	1	1	1	1		1	103	Elastic Pin 6*30	1	1	1	1	1	1
47	Supporting	1	1	1	1		1	105	Screw M8*10	1	1	1	1	1	1
48	Washer	1	1	1	1		1	106	Washer	1	1	1	1	1	1
49-A	Circlip for Shaft 50				1		1	107	Screw M8*10	1	1	1	1	1	1
49-B	Circlip for Shaft 45				1		1	108	Steel Ball ø6.35	1	1	1	1	1	1
50	Steer Wheel Shaft	1	1	1	1		1	109	Screw M6*10	1	1	1	1	1	1
51-A	Elastic Pin 8*50				1		1	110	Base	1	1	1	1	1	1
51-B	Elastic Pin 8*45				1		1	111	Collar	2	2	2	2	2	2
52	Elastic Pin 5*30	2	2	2	2	2	2	112	Circlip for Hole 47	2	2	2	2	2	2
53	Axle Sleeve	2	2	2	2	2	2	113	Steel Ball ø4.76	1	1	1	1	1	1
54 *2	Rocker Arm	1	1	1	1		1	114	Spring	1	1	1	1	1	1
55	Axle Sleeve	2	2	2	2	2	2	115	Falls Slowly Sheath	1	1	1	1	1	1
56	Elastic Pin 4*30	4	4	4	4	4	4	116	Cover	1	1	1	1	1	1
57	Shaft	2	2	2	2	2	2	117	Elasticity Circle	1	1	1	1	1	1
58	Shaft	2	2	2	2	2	2	118	Washer	1	1	1	1	1	1
60	Bearing 80105	4	4	4	4	4	4		Seal Kits Repair Assembly	1	1	1	1	1	1

Remark:
 1. With (*1) is meaning that: For example, If the Pallet Trucks is NP15, the exact part Number is "4-A", If NPL15, the exact part Number is "4-B".
 2. With (*2) is meaning that: For example, If the fork width of the pallet trucks is 520mm, the exact part Number is "19-520", If 685mm, the exact part Number is "19-685".
 3. With (*3) is meaning that: For example, If the fork length of the pallet trucks is 1070mm, the part Number is "44-1070", If 1220mm, the part Number is "44-1220".