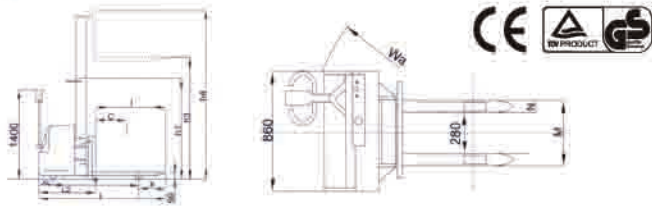




Full Electric Stacker CDD-C Series

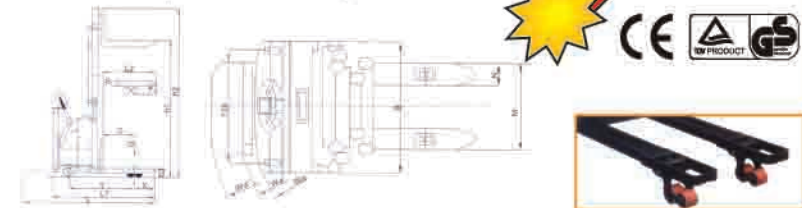
- Tiller arm is mounted on one side for optimum control and visibility.
- High-comfort tiller grip reduces fatigue, improving productivity.
- Heavy-duty design with top quality mast construction.
- Powerful drive and power unit made in Europe.
- Top quality electronic control system from Curtis.
- Multi-fuction handle includes crawl button, butterfly travel speed controls and lift/lower control offer variable speed adjustment.
- Conforms to EN1757-1:2001,EN1727.



Model	CDD1.2C			CDD1.5C			
	CDD1.2C/24	CDD1.2C/29	CDD1.2C/33	CDD1.5C/24	CDD1.5C/30	CDD1.5C/33	
Capacity Q	kg	1200	1200	1500	1500	1500	
Max Lifting Height h3	mm	2450	2900	3300	2450	3300	
Load Center C	mm	600	600	600	600	600	
Min. Height of Forks h3	mm	86	86	86	86	86	
Fork Length L	mm	1150	1150	1150	1150	1150	
Fork Width M	mm	540	540	540	540	540	
Min. Height of Stacker h1	mm	1800	2025	2225	1800	2025	
Max. Height of Stacker h4	mm	3094	2546	3946	3094	2546	
Width of Stacker B	mm	860	860	860	860	860	
Length of Stacker L	mm	1924	1924	1924	1924	1924	
Min. Turning Radius Wa	mm	1540	1540	1540	1540	1540	
Battery		172kg DG240AH/24V			172kg DG240AH/24V		
Gross Weight (without battery)	kg	648	670	691	658	680	701

Full Electric Stacker CDD-E Series

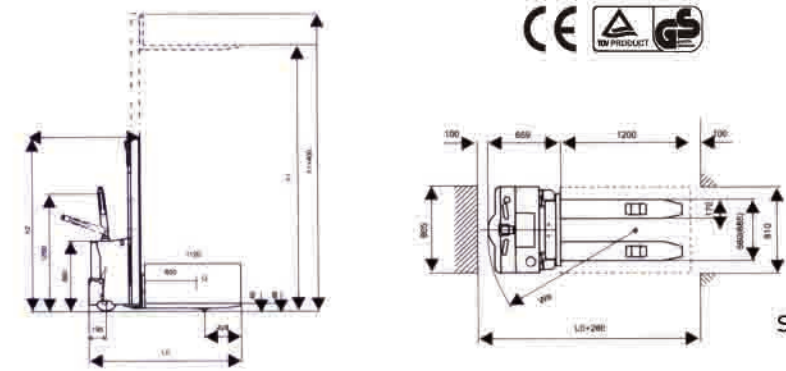
- Capacity : 1.2-1.5 ton
- Fork has the function of lifting and lowering, it is more convenient while climbing and going down slope.
- It operates simple, steady and reliable. Person can go together with stacker.
- It can carry double pallets one time with high efficiency.
- Imported electric control unit and hydraulic unit.
- High stability and good operating flexibility.
- Low noise, no pollution, and high reliability.
- Traditionally international style.



Model	CDD1.2E					CDD1.5E					
	CDD1.2E/16	CDD1.2E/24	CDD1.2E/29	CDD1.2E/31	CDD1.2E/33	CDD1.5E/16	CDD1.5E/24	CDD1.5E/29	CDD1.5E/31	CDD1.5E/33	
Capacity Q	kg	1200	1200	1200	1200	1500	1500	1500	1500	1500	
Max Lifting Height h1	mm	1600	2450	2900	3100	3300	1600	2450	2900	3300	
Load Center C	mm	600	600	600	600	600	600	600	600	600	
Min. Height of Forks h3	mm	90	90	90	90	90	90	90	90	90	
Fork Length L	mm	1150	1150	1150	1150	1150	1150	1150	1150	1150	
Fork Width M	mm	540/680	540/680	540/680	540/680	540/680	540/680	540/680	540/680	540/680	
Height of Stacker h1	mm	2090	1800	2025	2125	2225	2090	1800	2025	2125	
Max. Height of Stacker h2	mm	2246	3096	3548	3746	3946	2246	3096	3548	3746	
Width of Stacker B	mm	940	940	940	1080	1080	940	940	940	1080	
Length of Stacker L1	mm	1925	1925	1925	1925	1925	1925	1925	1925	1925	
Min. Turning Radius Wa	mm	1525	1525	1525	1525	1525	1525	1525	1525	1525	
Net Weight (without battery)	mm	613	670	692	705	713	620	677	699	712	
Battery	kg	DG240AH/24V 6Q-100AH/24V					DG240AH/24V 6Q-100AH/24V				

Full Electric Stacker CL & CG Series

- Smooth travel and lift with excellent controls to reduce product damages and increases productivity.
- Lift limit switch operates at maximum lift height to shut off pump motor.
- A heavy-duty 24-volt electrical system provides good travel and lift speeds.
- High quality hydraulic pump assures very little noise, maximum efficiency and durability.
- Drive units is equipped with an electromagnetic brake that is spring applied and electrically release. Brake is activated by the control handle position. The handle ergonomically designed with a raising, lowering and horn bottom.
- Speed automatically reduces when driving with the forks at a height of 12" or higher.
- Small turn radius makes it suitable for narrow passage ways.
- The CURTIS electronic controller helps provide plenty of low end torque while increasing the motor and battery lift.
- Foot pedal reduces fatigue.
- Conforms to EN 1726-1 and EN 1175-1.



Model	CL12.16	CL12.26	CL12.32	CG16.46	
Load capacity Q	kg	1200	1200	1200	1600
Load center	mm	600	600	600	600
Lifting height h1	mm	1600	2600	3200	4600
Fork overall width	mm	560/685	560/685	560/685	560/685
Fork overall length	mm	1150	1150	1150	1150
Min. height	mm	86	86	86	86
Min. turning radius Wa	mm	1436	1436	1436	1615
Drive motor	kw	1.2	1.2	1.2	1.2
Lifting motor	kw	2.2	2.2	2.2	3
Battery	V/AH	24/110	24/110	24/110	24/280
Charger	V/A	24/20	24/20	24/20	24/30
Overall length L	mm	1865	1865	1865	2175
Overall width	mm	805	805	805	1050
Machine Height h2	mm	2000	1800	2100	2100
Service Weight	kg	540	725	815	980

